

- 1 cylinder
- 349 cm³
- 5.5 kW/7.5 HP
- 3600 rpm
- Nm. 16.6@2400

Homologation

- EPA TIER 1
- ECE R 24

Construction

- 4 -stroke air cooled diesel engine.
- Conical power take-off on crankshaft.
- Anticlockwise rotation.
- Direct injection.
- Forced lubrication with oil pump.
- Centrifugal mass governor.
- Built-in full flow oil filter.
- Oil breathing blow-by with safety device.
- Automatic extra fuel starting device.
- Self bleeding fuel system.
- Torque regulator.
- Automatic compression release.
- Die-cast aluminium crankcase with integral cast iron cylinder liner.
- Aluminium alloy cylinder head.
- Built-in rigid feet.



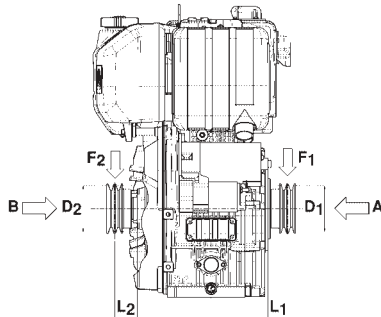
Applications

- Two-wheel tractor
- Agricultural mower
- Agricultural pump
- High pressure cleaner
- Generating set
- Vibrating plate
- Hydraulic power pack

Specifications

Cylinders	N.	1
Displacement	cm ³	349
Bore	mm	82
Stroke	mm	66
Compression ratio		20.3:1
Rating kW/HP	N (80/1269/CEE) ISO 1585	5.5/7.5
	NB ISO 3046 IFN	5.1/7.0
	NA ISO 3046 ICXN	4.7/6.4
Max. torque	Nm.	16.6@2400
Min. idling speed		950÷1000
Fuel tank capacity	l	4.3
Oil consumption	kg/h.	0.0032
Oil sump capacity	l	1.2
Min. allowable oil pressure	bar	1÷1.5
Max. allowable inclination for short periods of operation (peak values)		25° (35°)
Vol. of air required for correct combustion @ 3600 r.p.m.	l/min.	540
Vol. of air required for correct cooling @ 3600 r.p.m.	l/min.	5000
Dry weight	kg	33
Recommended battery	V/Ah	12/44

Minimum pulley diameters for belt drive



$$D_2 \text{ (mm)} \geq 860 [60+L_2 \text{ (mm)}] \frac{N \text{ (kW)}}{n \text{ (RPM)}}$$

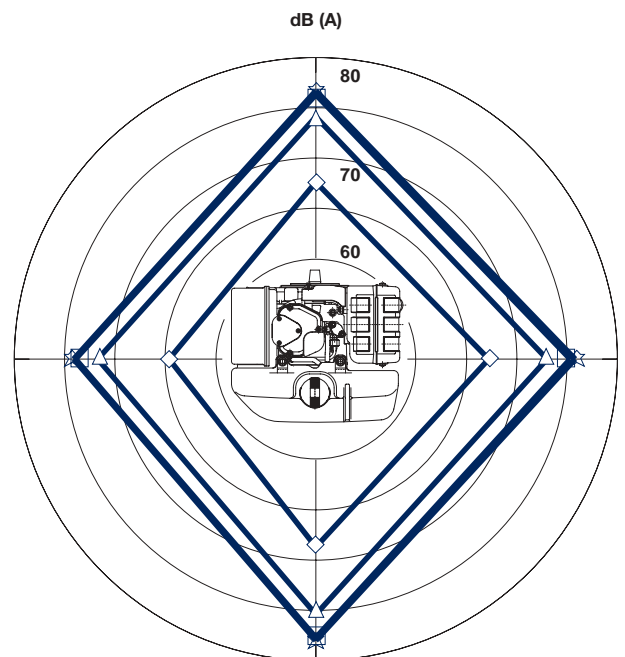
$$D_1 \text{ (mm)} \geq 820 [55+L_1 \text{ (mm)}] \frac{N \text{ (kW)}}{n \text{ (RPM)}}$$

Max. allowable axial load in both directions A-B = 200 kg



Sound pressure level dB (A)

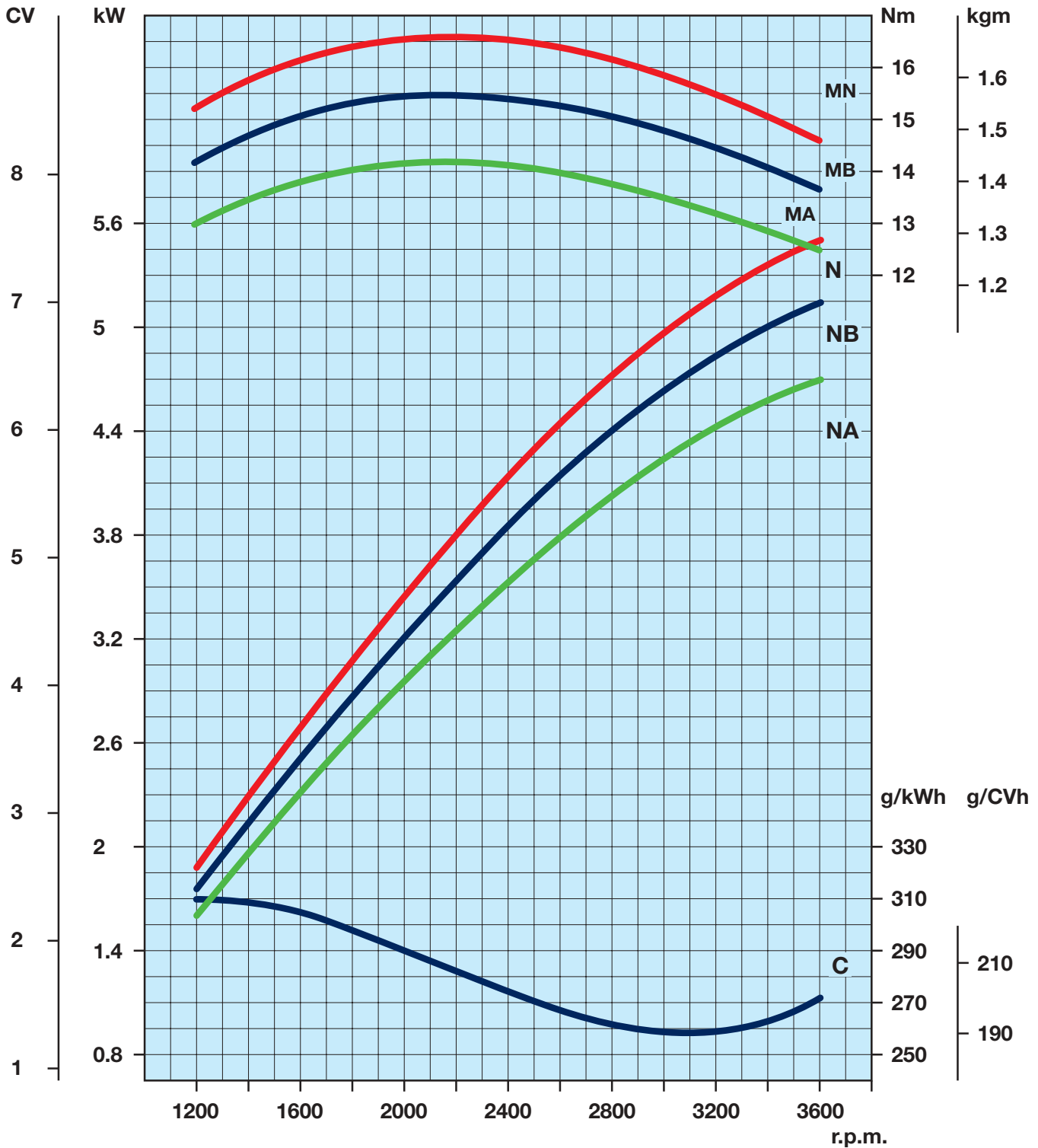
Sound level polar diagram open field - 7 meters microphone - no load running engine.



1000 RPM 2000 RPM 3000 RPM 3600 RPM

SERIE 15LD

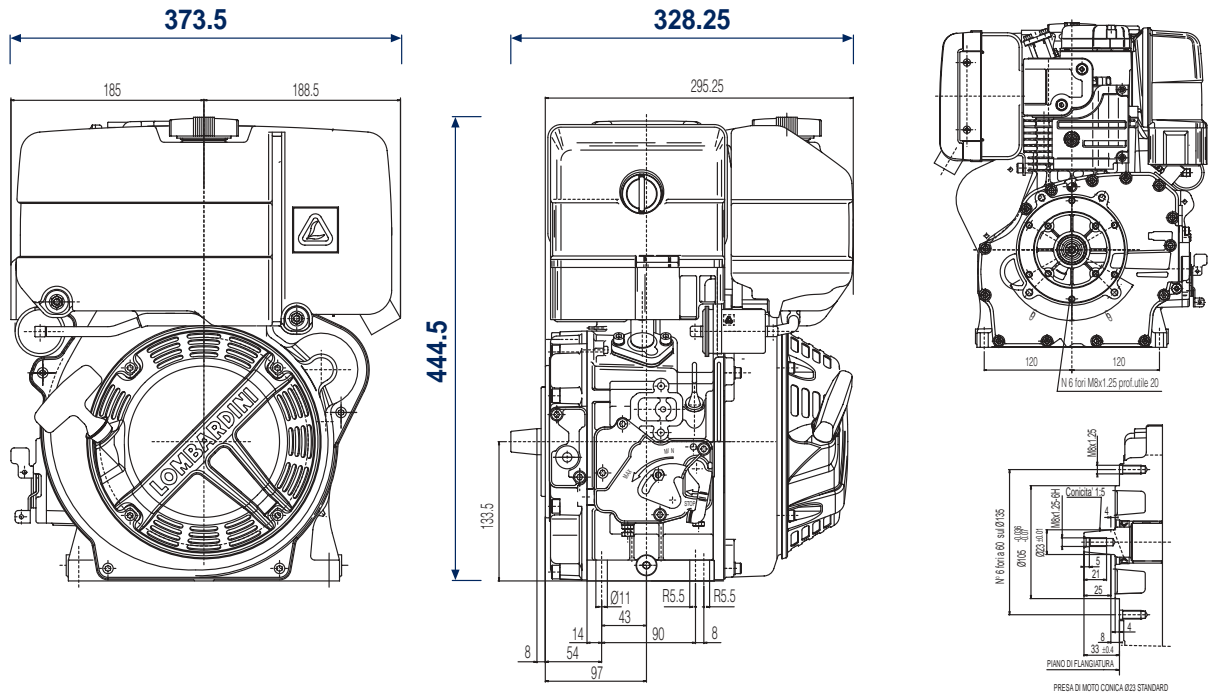
Curves 15LD 350



N Power curve - 80/1269/CEE - ISO 1585 -
NB Power curve - ISO 3046/1 - IFN -
NA Power curve - ISO 3046/1 - ICXN -

MN Torque curve - (N curve)
MB (B curve - **MA** (A curve)
C Specific fuel consumption - (NB curve)

Technical drawings *



* More specific dimensions are available on www.lombardini.it (see table at the bottom of the page)

Standard equipment

Recoil starting and automatic compression release
 Fuel tank
 Fuel filter
 Dry-air cleaner
 Muffler with guard
 Accelerator and stop manual control
 User maintenance-spare parts booklet

Accessories

Power take-off flywheel side (engines with electrical starting)
 Power take-offs with flanging and special shaft
 Parallel crankshaft
 Internal dynamic balancer
 Oil-bath air-cleaner
 Electric start 12 V / 24 V
 Keyswitch panel
 Emergency stop through electrovalve
 Accelerator and stop remote control
 Key start panel with shutdown device
 Fuel lift pump
 Oil dipstick on cylinder head
 Oil pressure switch
 Oil temperature switch
 Glow plug on intake manifold
 Recoil with denoising cover
 Grass protection for engine cooling



ISO 9001 Cert. n. 0446 - 1405
 QS. 9000 Cert. n. 2231/0



Via Cav. del Lavoro Adelmo Lombardini, 2
 42100 Reggio Emilia Italia
 Tel. ++39 0522.3891 Fax ++39 0522.389503
www.lombardini.it

Files for this product available on www.lombardini.it

Data sheet	15LD350DS.PDF
Owner manual	15LD350OM.PDF
Service manual	15LD350SM.PDF
Technical drawing	15LD350TD.DWG
Power curve	15LD350PC.PDF

LOMBARDINI RESERVES THE RIGHT TO MAKE MODIFICATIONS WITHOUT PRIOR NOTICE

mod. 50917/5