

- 2 cylinders
- 654 cm<sup>3</sup>
- 12 kW/16.3 HP
- 3600 r.p.m.
- Nm. 32@2400

## Homologation

- ECE R 24-03 ▲

## Construction

- 4-stroke air cooled diesel engine
- Direct injection
- Air cooled by fan integral to the flywheel
- Mechanical fuel lift pump
- Forced lubrication with oil pump
- Full flow oil filtration with external cartridge filter
- Automatic extra fuel starting device
- Torque regulator
- Centrifugal speed governor
- Crankcase in die-cast aluminium
- Electric starting
- Counter-clockwise rotation (viewed from power take-off side)
- Aluminium alloy independent heads
- Re-borable independent cast iron cylinders
- Power take-off on crankshaft



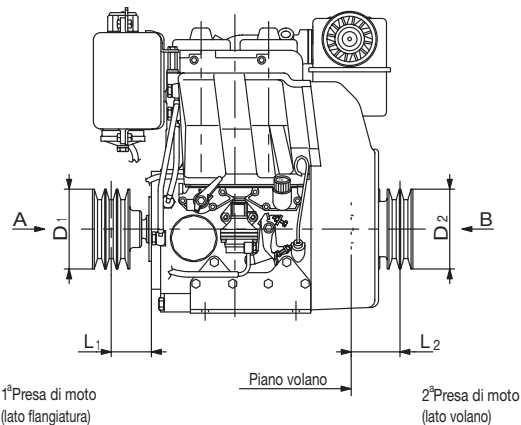
## Applications

- Dumper
- Vibrating Roller
- Generating Set
- Welding Set
- High pressure cleaner
- Hydraulic power pack
- Agricultural pump
- Two-wheel tractor

## Specifications

Cylinders	N.	2
Displacement	cm <sup>3</sup>	654
Bore	mm	80
Stroke	mm	65
Compression ratio		19:1
Rating kW/HP	N (80/1269/CEE) ISO 1585	12/16.3
	NB ISO 3046 IFN	11.2/15.2
	NA ISO 3046 ICXN	10.3/14.0
Max. torque	Nm.	32@2400
Max. torque 3 P.T.O.	Nm.	18.0
Counterclockwise rotation		
Engine speed - 3 P.T.O. ratio		1:0.87
Minimum idling speed r.p.m.		1000
Fuel tank capacity	l	4
Oil consumption	kg/h.	0.007
Oil sump capacity	l	1,8
Min. allowable oil pressure	bar	0.8
Max. allowable inclination for short periods of operation (peak values)		25° (35°)
Vol. of air required for correct combustion @ 3600/3000 r.p.m.	l/min.	1050/875
Vol. of air required for correct cooling @ 3600/3000 r.p.m.	l/min.	11700/9750
Dry weight	kg	60
Recommended battery	V/Ah	12/55
Axial load	(continuous) kg	100
	(intermittent) kg	300

## Minimum pulley diameters for belt drive



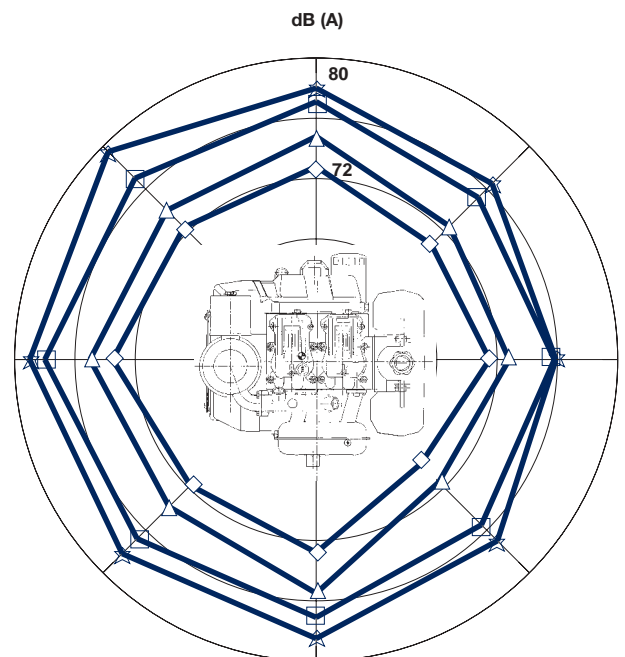
$$D_1 \text{ (mm)} \geq 585 [49+L_1 \text{ (mm)}] \quad \frac{N \text{ (kW)}}{n \text{ (RPM)}}$$

$$D_2 \text{ (mm)} \geq 1030 [31+L_2 \text{ (mm)}] \quad \frac{N \text{ (kW)}}{n \text{ (RPM)}}$$



## Sound pressure level dB (A)

Sound level polar diagram open field - 7 meters microphone - no load running engine.

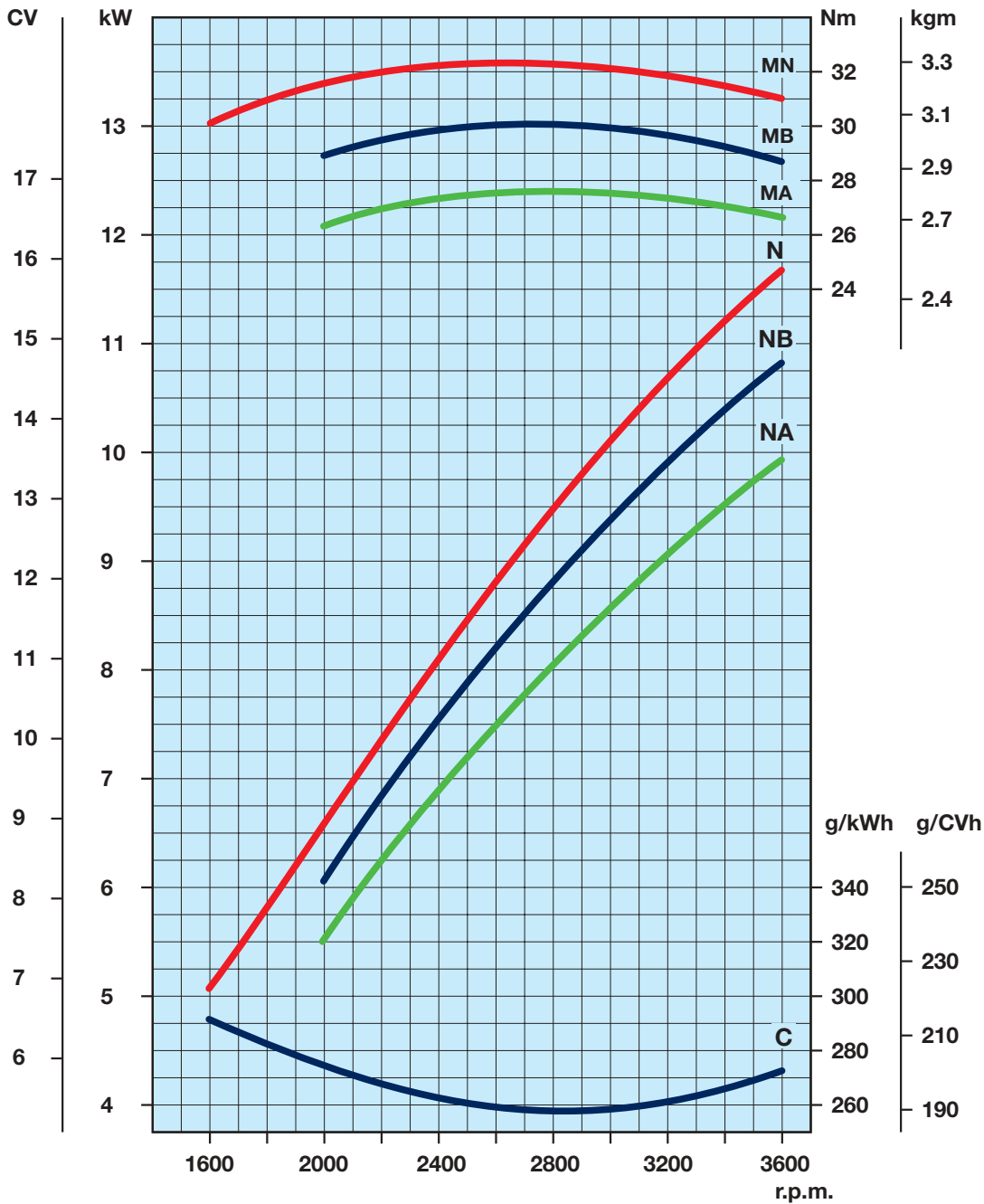


1500 RPM    2000 RPM    2500 RPM    3000 RPM

# SERIE 25LD

## Curves

25LD 330/2 @ 3600 r.p.m.



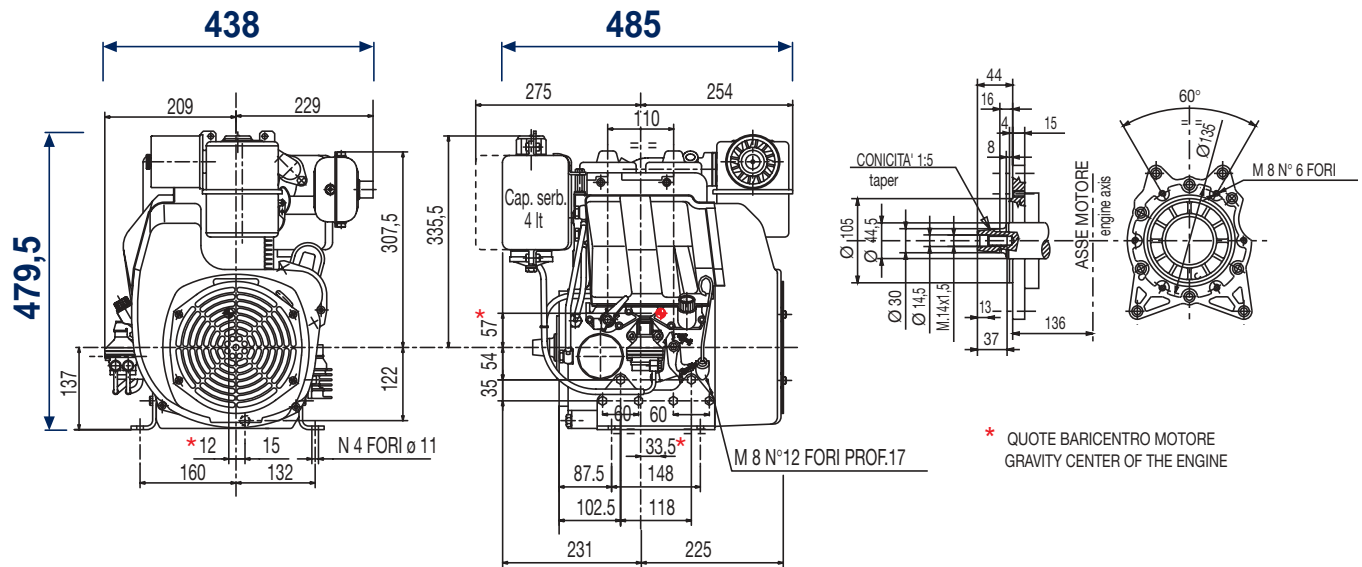
<b>N</b>	Power curve - 80/1269/CEE - ISO 1585 -
<b>NB</b>	Power curve - ISO 3046/1 - IFN -
<b>MA</b>	Power curve - ISO 3046/1 - ICXN -
<b>MN</b>	Torque curve - (N curve)
	<b>MB</b> (B curve - <b>MA</b> (A curve)
<b>C</b>	Specific fuel consumption - (NB curve)

### Output power for fixed speed application (including generating sets)

#### Engine power kW

r.p.m.	Intermittent (NB)	Continuous (NA)
3600	11.2	10.3
3000	9.4	8.6

## Technical drawings \*



\* More specific dimensions are available on [www.lombardini.it](http://www.lombardini.it) (see table at the bottom of the page)

## Standard equipment

- Electric starting with 12V starter motor and alternator
- Black paint on sheet metal parts
- Remote throttle
- Oil bath air filter with prefilter
- Internal oil filter with net
- Oil pressure switch
- Combined manifold and exhaust muffler
- Engine feet
- Power take-off on crankshaft
- Keyswitch panel
- Fuel lift pump
- Counter-clockwise rotation on power take-off side
- Fuel tank with filter
- Automatic extra fuel device
- Use, maintenance and spare parts booklet

## Accessories

- Different guards according to use
- Range of alternative alternators
- Compression release
- Flanges
- Dry air filter
- External oil filter
- External fuel filter
- Clutches
- Range of flywheels for various clutches
- Hydraulic pump adapters
- Range of fuel tanks of various sizes
- Mufflers and exhaust pipes
- Controls
- Pulleys
- Varnishing



Files for this product available on [www.lombardini.it](http://www.lombardini.it)

Data sheet	25LD330DS.PDF
Owner manual	25LD330OM.PDF
Service manual	25LD330SM.PDF
Technical drawing	25LD330TD.DWG
Power curve	25LD330PC.PDF



Via Cav. del Lavoro Adelmo Lombardini, 2  
42100 Reggio Emilia - Italia  
Tel. ++39 0522.3891 - Fax ++39 0522.389503  
[www.lombardini.it](http://www.lombardini.it)

LOMBARDINI RESERVES THE RIGHT TO MAKE MODIFICATIONS WITHOUT PRIOR NOTICE

mod. 51031/2