

- 4 cylinders
- 2199 cm³
- 38.0 kW/51.7 HP
- 3000 rpm
- Nm. 144@2000

Homologation

- EPA TIER 2 ■
- 97/68/CE Step 2 ●
- ECE R24-03 ▲

Construction

- 4-stroke diesel engine with cylinders in line
- Fluid-cooled with axial fan.
- Indirect injection.
- Single-shaft distribution with rod, valve levers and hydraulic tappets.
- Geared distribution control.
- Double pto on the crankshaft.
- Two pto on the distribution.
- Counterclockwise, rotation.
- Forced lubrication with vane pump on the crankshaft.
- Total passage external oil filter.
- Positionable fan and water pump.
- Automatic extra fuel starting device.
- Centrifugal governor.
- Torque regulator.
- Cast iron engine block with re-borable integral liners.
- Cast iron cylinder head.

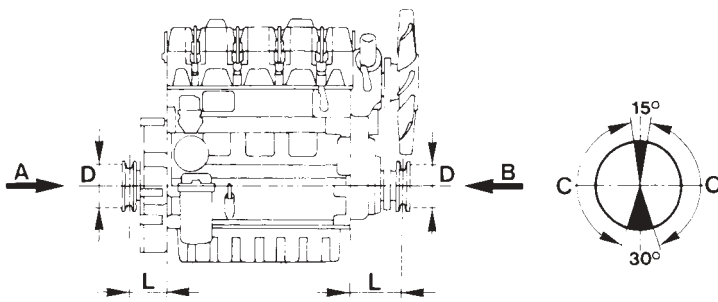


Applications

- Mini excavator
- Excavator
- Fork lift
- Dumper
- Gen set
- Aerial platform
- Compressor
- High pressure cleaner
- Sweeper
- Pump
- Tractor

Specifications

Cylinders	N.	4
Displacement	cm ³	2199
Bore	mm	88
Stroke	mm	90.4
Compression ratio		22.5:1
Rating kW/HP	N (80/1269/CEE) ISO 1585	38.0/51.7
	NB ISO 3046 IFN	34.5/46.9
	NA ISO 3046 ICXN	32.0/44.0
Max. torque	Nm.	144@2000
Max. torque 3 P.T.O.	Nm.	39.2@3000
Min. idling speed		900
Water pump delivery at 3000 r.p.m.	l/min.	100
Oil consumption	kg/h.	0.025
Oil sump capacity		
with dynamic horizontal stabilizer	l	4.5
without dynamic horizontal stabilizer	l	5.7
Max. allowable inclination for short periods of operation (peak values)		25° (35°)
Vol. of air required for correct cooling @ 3000 r.p.m.	l/min.	3300
Vol. of air required for correct combustion @ 3000 r.p.m.	m ³ /min.	128
Dry weight	kg	192
Recommended battery	V/Ah	12/88
Minimum pulley diameters for belt drive		



V belt	$D \text{ (mm)} \geq 73 [L \text{ (mm)} + 118]$	$\frac{N \text{ (kW)}}{n \text{ (RPM)}}$
--------	---	--

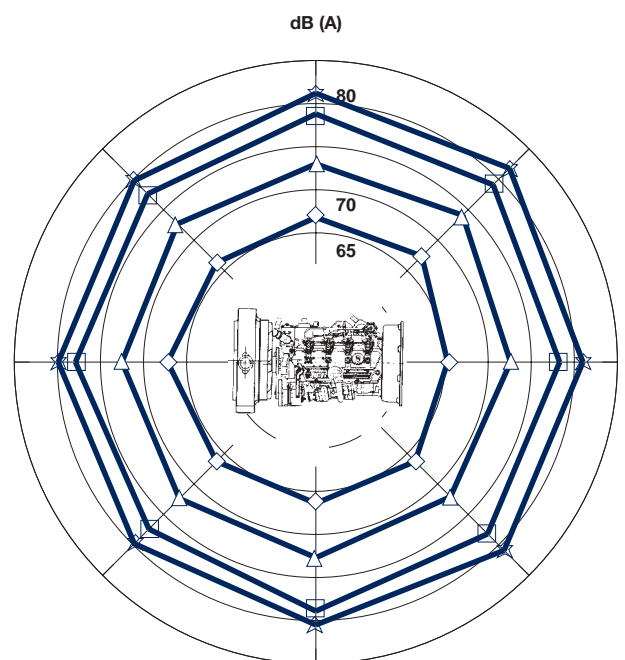
Cogged belt	$D \text{ (mm)} \geq 46 [L \text{ (mm)} + 118]$	$\frac{N \text{ (kW)}}{n \text{ (RPM)}}$
-------------	---	--

Max. allowable axial load in both directions A-B = 300 kg
C - zone in which the radial load acts on the pulley



Sound pressure level dB (A)

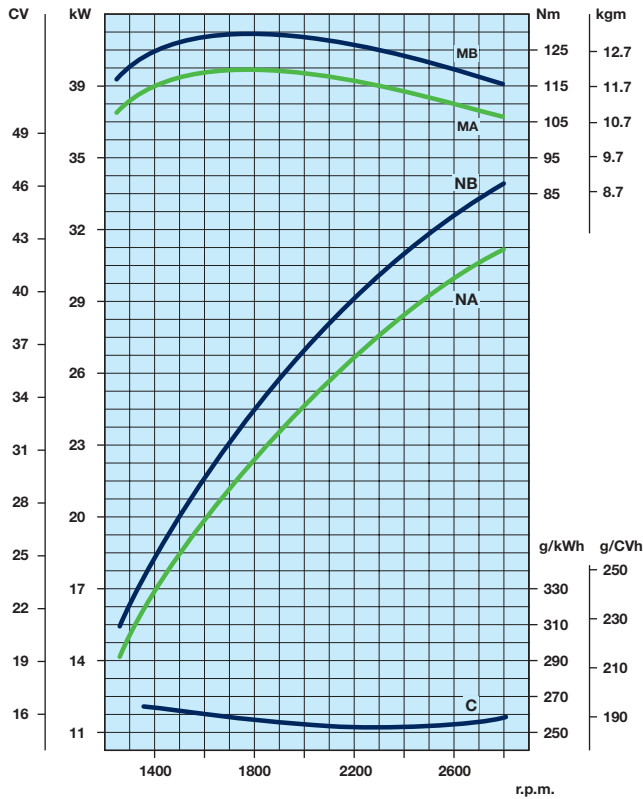
Sound level polar diagram open field - 7 meters microphone - no load running engine.



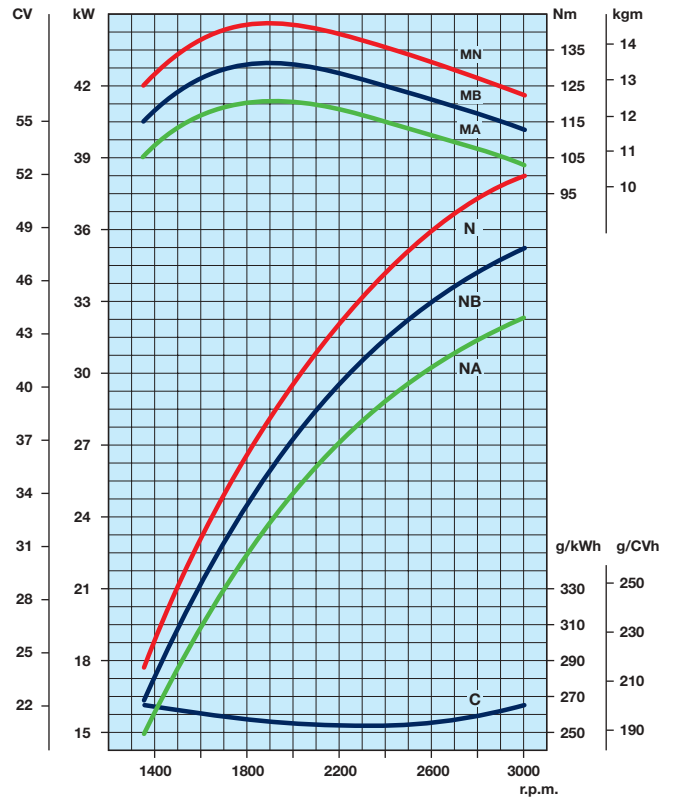
◆ 900 RPM ▲ 1800 RPM ◻ 2500 RPM ★ 3000 RPM

Curves

LDW 2204 @ 3000 r.p.m. ■ ● ▲



LDW 2204 B1 @ 3000 r.p.m. ■ ● ▲



N Power curve - 80/1269/CEE - ISO 1585 -

NB Power curve - ISO 3046/1 - IFN -

NA Power curve - ISO 3046/1 - ICXN -

MN Torque curve - (N curve)

MB (B curve - **MA** (A curve)

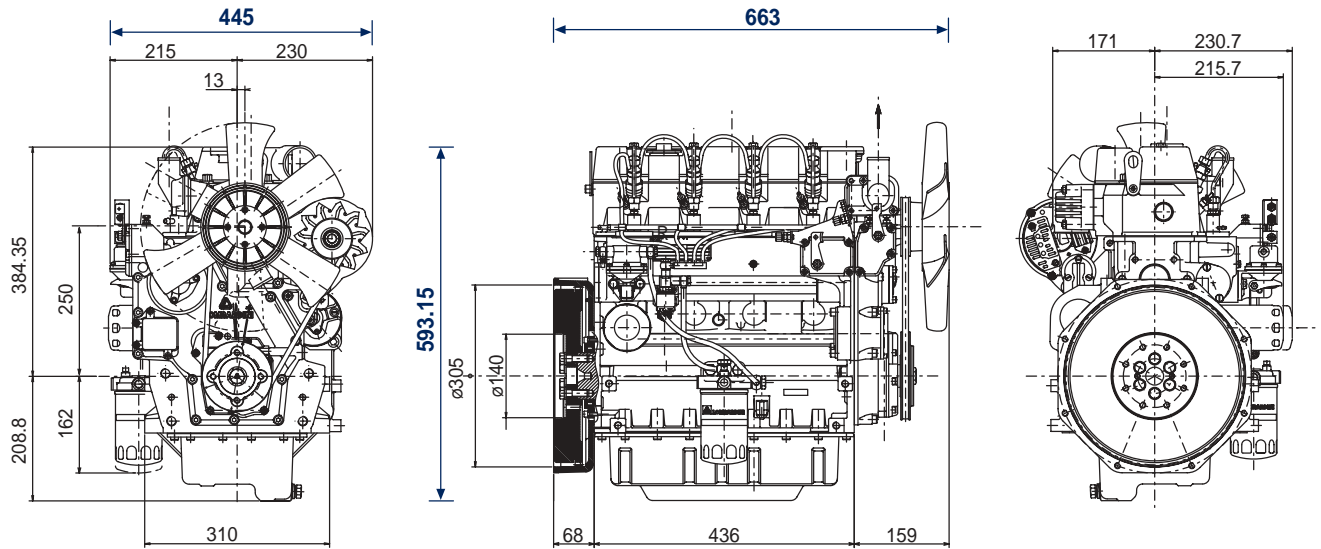
C Specific fuel consumption - (NB curve)

Output power for fixed speed application (including generating sets)

Engine power kW

r.p.m.	Intermittent (NB)	Continuous (NA)
3000	35	31.8
1800	22.5	20.5
1500	19.5	17.7

Technical drawings *



* More specific dimensions are available on www.lombardini.it (see table at the bottom of the page)

Standard equipment

- External oil filter
- Intake manifold
- Exhaust manifold
- Intake fan
- Accelerator control
- Electric starter and 12V alternator
- Thermostatic valve
- Fuel feed diaphragm pump
- Water pump
- Flanging plate
- Flywheel with ring gear
- Use, maintenance and spare parts booklet

Accessories

- Different guards according to use
- Clutches
- Clutch flywheels
- Flanges
- Hydraulic pump adaptors
- Keyswitch panel
- Electric stop
- Electronic plant for plugs
- Alternators
- Radiators
- Blowing fan
- Engine feet
- Fuel tanks
- Mufflers
- Dry air-cleaners mounted and separated
- Cyclonic precleaners
- Fuel filter on engine
- Cab heating system
- High capacity oil sump



ISO 9001 Cert. n. 0446 - 1405
QS. 9000 Cert. n. 2231/0



Via Cav. del Lavoro Adelmo Lombardini, 2
42100 Reggio Emilia Italia
Tel. ++39 0522.3891 Fax ++39 0522.389503
www.lombardini.it

Files for this product available on www.lombardini.it

Data sheet	LDW2204DS.PDF
Owner manual	LDW2204OM.PDF
Service manual	LDW2204SM.PDF
Technical drawing	LDW2204TD.DWG
Power curve	LDW2204PC.PDF

LOMBARDINI RESERVES THE RIGHT TO MAKE MODIFICATIONS WITHOUT PRIOR NOTICE

mod. 51001/5